

MXCMIU-FL & MXCMIU-FS Front Plates

Overview

The MXCMIU-FL and MXCMIU-FS front plate units are designed to be used in combination with the MXCMIU multi interface unit and the Microflex® Complete (MXC) digital conference system. These units are especially suited for installations where a flush-mounted conference unit is required by limited space is available. The non-user-facing components are contained in the MXCMIU multi interface unit which can be mounted in a more spacious location under the table or in a floor pocket. The MXCMIU-FL or MXCMIU-FS connect to the MXCMIU with an included HDMI cable. The MXCMIU-FL front plate unit features a built-in loudspeaker that provides sound reinforcement of local talkers and external audio sources except when the microphone is activated. The MXCMIU-FS does not include a loudspeaker. Both units also feature a microphone button and a programmable function button. The microphone button enables the user to activate/deactivate the microphone directly or to submit a request to speak. An LED indicates whether the microphone is on (red) or in request to speak mode (green). Alternative LED indication (green when microphone is on) can be configured through the DIS-CCU central control unit. The function button can be programmed as a Mute, Mute All, Next On, Reply, or other function through the DIS-CCU. The MXCMIU-FL and MXCMIU-FS are compatible with MXC-series gooseneck microphones. The 10-pin modular microphone connector can be locked with a hex key to prevent unauthorized removal of the microphone. The MXCMIU-FL and MXCMIU-FS are designed to be flush-mounted in the table surface.



MXCMIU-FL
Flush-Mount Front Plate

Features

- Front plate unit for use with MXCMIU multi interface unit
- Configurable for Chairman or Delegate operation
- Microphone control and programmable function buttons with LED indicators
- Lockable 10-pin microphone connector
- Single HDMI cable (included) connection to the MXCMIU multi interface unit
- Integrated high quality loudspeaker (MXCMIU-FL only)

Specifications (subject to change)

ELECTRICAL

Frequency range (loudspeaker)	150 Hz-15 kHz
Connection to MXCMIU	HDMI connector

MECHANICAL

Installation	Flush mount
Color	Black
Temperature Range	5° to 40° C

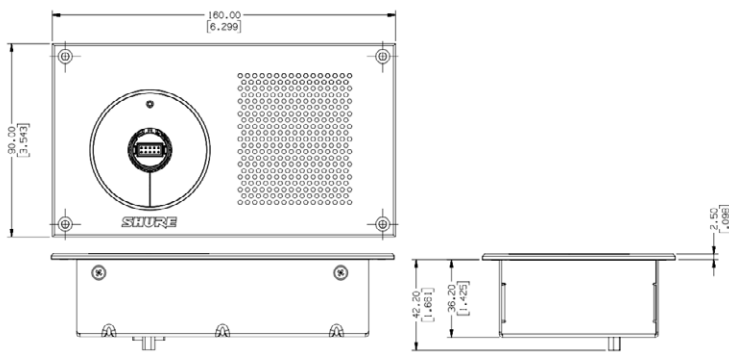
Data subject to change without notice in interest of product improvements.



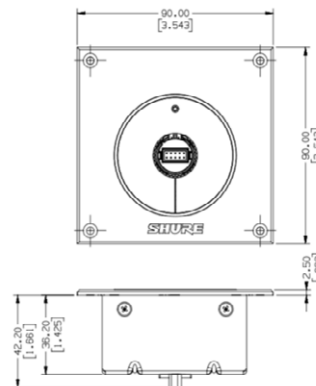
MXCMIU-FS
Flush-Mount Front Plate

Available Models

MXCMIU-FL	Front Plate Unit with loudspeaker
MXCMIU-FS	Front Plate Unit without loudspeaker



MXCMIU-FL



MXCMIU-FS

SHURE[®]
LEGENDARY
PERFORMANCE™